

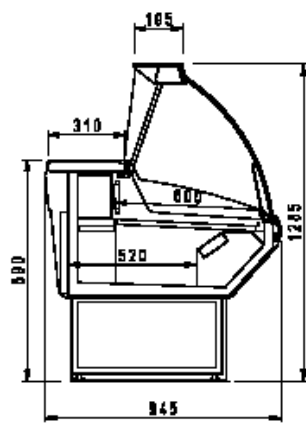
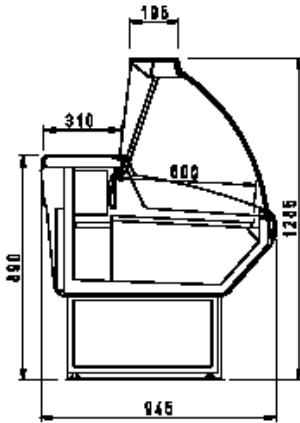


Commercial and Industrial Refrigeration

Nova

Static
+2°C / +8°C
+ 25° C 60% RH

Fan assisted
+2°C / +4°C
+ 25° C 60% RH



The total amount includes:

- Lower plastified decorations trims - colours as per 'Akvatek Collection'
- POSTFORMING 310mm, anti-scratch working shelf
- Curved glass superstructure
- White display trays
- Rear storage doors
- Electric control panel
- Static / fan assisted refrigeration
- Refrigerating gas R404A
- Built-in condensing unit
- Manual condensation water tray
- Off-cycle defrost
- 2 fixed grey thermoformed ends 40mm thick/each
- Wooden crate packing

AKVATEK

15701 NW 15th Ave. Miami, FL 33169 Tel. 866-283-8766 Fax. 888-230-9388 www.abc.supermarket.com

DEALER NET PRICE

External length mm	code		TOTAL	
1330	9.62.50.00	STATIC	\$	3,013.56
	9.62.50.00	FAN ASSISTED	\$	3,194.49
1955	9.62.50.05	STATIC	\$	3,467.24
	9.62.50.35	FAN ASSISTED	\$	3,697.85
2580	9.62.50.10	STATIC	\$	4,108.79
	9.62.50.40	FAN ASSISTED	\$	4,444.76

OPTIONAL COLORS

Yellow	RAL 1007		Gentian Blue	RAL 5010	
Yellow	RAL 1016		Yellow Green	RAL 6018	
Yellow	RAL 1021		Light Grey	RAL 7035	
Pure Orange	RAL 2004		Chocolate Brown	RAL 8017	
Light Ivory	RAL 1015		Grey White	RAL 9002	
ORANGE	RAL 202		White Aluminum	RAL 9006	
Ultramarine Blue	RAL 5002		May Green	RAL 6017	

AKVATEK

15701 NW 15th Ave. Miami, FL 33169 Tel. 866-283-8766 Fax. 888-230-9388 www.abc.supermarket.com