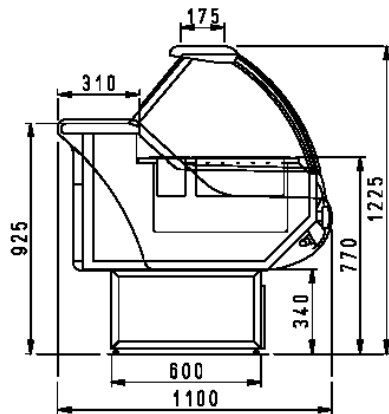




Commercial and Industrial Refrigeration

Gemini Hot case



+60°C / +80°C

The total amount includes:

Lower plastified decorations trims - colours as per 'Akvatek Collection'

INOX 310mm working shelf

Superstructure with lift-up curved glass, lighting and glass top service shelf

Electric control panel

1 sector insulated basin (gastronorm trays excluded)

2 gey thermoformed ends 40 mm./thick each

AKVATEK

15701 NW 15th Ave. Miami, FL 33169 Tel.866-283-8766 Fax.888-230-9388 www.abc-supermarket.com

DEALER NET PRICE

Length			TOTAL with ends	case without ends
with ends 50mm	without ends	code		
1350	1250	9.55.31.95	\$ 8,204.78	\$ 7,513.31
2600	1250+1250		\$ 15,816.06	\$ 15,124.59
3850	1250+1250+1250		\$ 23,427.35	\$ 22,735.88

OPTIONAL COLORS

Yellow	RAL 1007		Gentian Blue	RAL 5010	
Yellow	RAL 1016		Yellow Green	RAL 6018	
Yellow	RAL 1021		Light Grey	RAL 7035	
Pure Orange	RAL 2004		Chocolate Brown	RAL 8017	
Light Ivory	RAL 1015		Grey White	RAL 9002	
ORANGE	RAL 202		White Aluminum	RAL 9006	
Ultramarine Blue	RAL 5002		May Green	RAL 6017	