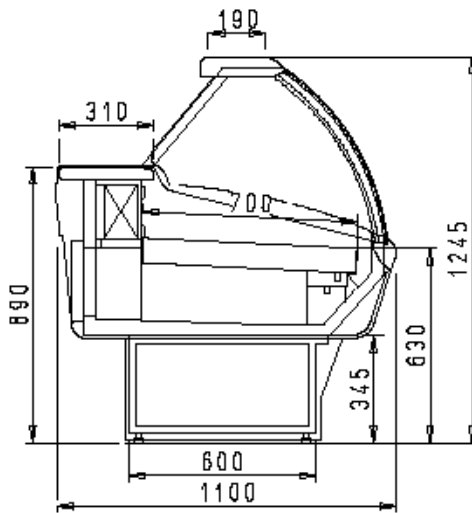




Commercial and Industrial Refrigeration

## Elios Fish



+2°C / +8°C  
+ 25° C 60% RH

**The total amount includes:**

- Lower plastified decorations trims - colours as per 'Akvatek Collections'
- POSTFORMING 250 mm, grey colour, anti-scratch working shelf
- Superstructure with lift-up curved glass, lighting and glass top service shelf
- Electric control panel
- Rear storage doors
- Perforated S/S display trays with water tray
- Static refrigeration
- Refrigeration gas R404A
- Built-in condensing unit \*\*\*
- Off-cycle defrost
- 2 grey thermoformed ends 40 mm./thick each
- Wooden crate packing

**AKVATEK**

15701 NW 15<sup>th</sup> Ave. Miami, FL 33169 Tel. 866-283-8766 Fax. 888-230-9388 [www.abc-supermarket.com](http://www.abc-supermarket.com)

## DEALER NET PRICE

| with ends<br>40 mm | Length |                | code       | TOTAL<br>with ends | case<br>without ends |
|--------------------|--------|----------------|------------|--------------------|----------------------|
|                    |        | without ends   |            |                    |                      |
| <b>1330</b>        |        | 1250           | 9.61.02.50 | \$ 4,869.65        | \$ 4,229.75          |
| <b>1955</b>        |        | 1875           | 9.61.02.55 | \$ 5,820.20        | \$ 5,180.30          |
| <b>2580</b>        |        | 2500           | 9.61.02.60 | \$ 7,275.66        | \$ 6,635.76          |
| <b>3205</b>        |        | 3125           | 9.61.0265  | \$ 8,362.61        | \$ 7,722.71          |
| <b>3830</b>        |        | 3750           |            | \$ 9,540.93        | \$ 8,901.03          |
| <b>4455</b>        |        | 1875+2500      |            | \$ 12,590.87       | \$ 11,950.97         |
| <b>5080</b>        |        | 2500+2500      |            | \$ 14,046.33       | \$ 13,406.43         |
| <b>6330</b>        |        | 3125+3125      |            | \$ 16,220.22       | \$ 15,580.32         |
| <b>6955</b>        |        | 3125+3750      |            | \$ 17,398.55       | \$ 16,758.65         |
| <b>7580</b>        |        | 3750+3750      |            | \$ 23,082.27       | \$ 17,936.97         |
| <b>8830</b>        |        | 2500+2500+3750 |            | \$ 23,082.27       | \$ 22,442.37         |

## OPTIONAL COLORS

|                     |          |   |                 |          |   |
|---------------------|----------|---|-----------------|----------|---|
| Yellow              | RAL 1007 |  | Gentian Blue    | RAL 5010 |  |
| Yellow              | RAL 1016 |  | Yellow Green    | RAL 6018 |  |
| Yellow              | RAL 1021 |  | Light Grey      | RAL 7035 |  |
| Pure Orange         | RAL 2004 |  | Chocolate Brown | RAL 8017 |  |
| Light Ivory         | RAL 1015 |  | Grey White      | RAL 9002 |  |
| ORANGE              | RAL 202  |  | White Aluminum  | RAL 9006 |  |
| Ultramarine<br>Blue | RAL 5002 |  | May Green       | RAL 6017 |  |

**AKVATEK**

15701 NW 15<sup>th</sup> Ave. Miami, FL 33169 Tel. 866-283-8766 Fax. 888-230-9388 [www.abc-supermarket.com](http://www.abc-supermarket.com)