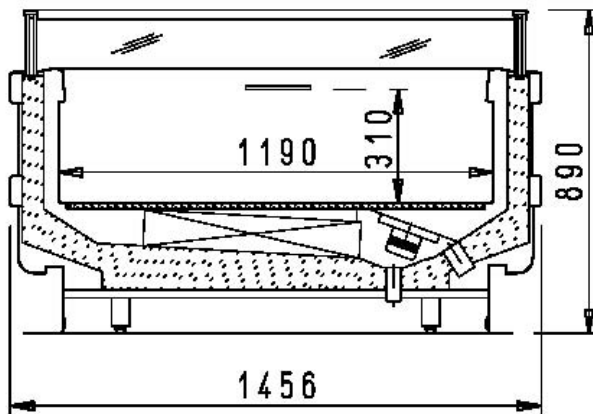




Commercial and Industrial Refrigeration

-18°C / -25°C
+25°C 60% UR

Aries 150G



The total amount includes:

Decoration trims, blue RAL 5019
Electric defrosting
Fan assisted refrigeration
R404A valve
2 ends with thermopan glass, thickness 83mm each

- a) - TERMINAL BOARD
with mechanical thermometer
- b) - ELECTRONIC CONTROL BOARD
with digital control



AKVATEK

15701 NW 15th Ave. Miami, FL 33169 Tel.866-283-8766 Fax. 888-230-9388 www.abc-supermarket.com

DEALER NET PRICE

Length		code	TOTAL (a) TERMINAL BOARD		TOTAL (b) ELECTRONIC	
with ends 83 mm	without ends		with ends 83mm	without ends	with ends 83 mm	without ends
2666	2500	9.58.01.60	\$ 9,577.22	\$ 8,058.62	\$ 9,832.56	\$ 8,313.96
3916	3750	9.58.01.70	\$ 11,456.82	\$ 9,938.22	\$ 11,712.17	\$ 10,193.57
5166	2500+2500		\$ 17,780.96	\$ 16,262.36	\$ 16,773.05	\$ 16,773.05
6416	2500+3750		\$ 19,660.56	\$ 18,141.96	\$ 18,652.65	\$ 18,652.65
7666	3750+3750		\$ 21,540.17	\$ 20,021.57	\$ 20,532.26	\$ 20,532.26
8916	2500+2500+3750		\$ 27,864.30	\$ 26,345.70	\$ 27,111.74	\$ 27,111.74
10166	2500+3750+3750		\$ 29,743.91	\$ 28,225.31	\$ 28,991.34	\$ 28,991.34
11416	3750+3750+3750		\$ 31,623.51	\$ 30,104.91	\$ 30,870.95	\$ 30,870.95

OPTIONAL COLORS

Yellow	RAL 1007		Gentian Blue	RAL 5010	
Yellow	RAL 1016		Yellow Green	RAL 6018	
Yellow	RAL 1021		Light Grey	RAL 7035	
Pure Orange	RAL 2004		Chocolate Brown	RAL 8017	
Light Ivory	RAL 1015		Grey White	RAL 9002	
ORANGE	RAL 202		White Aluminum	RAL 9006	
Ultramarine Blue	RAL 5002		May Green	RAL 6017	